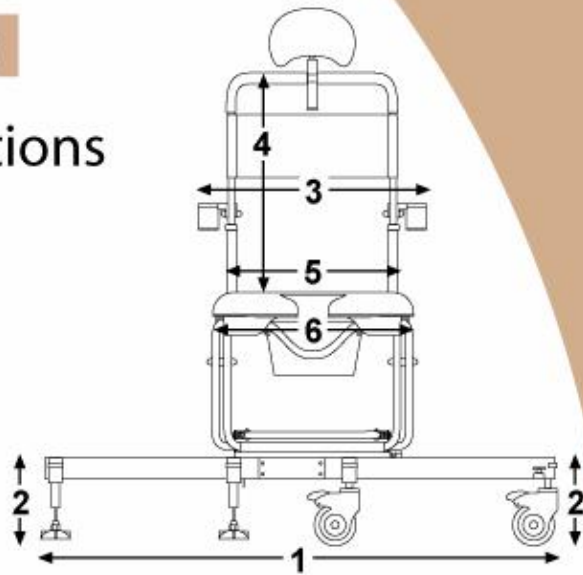


SHOWER HELPER

Product Specifications

1. Length: 52-1/2"
2. Universally fits shower floors
*may require additional parts
3. Transfer Chair Width: 23-1/2"
4. Seat Back Height: 21-1/4"
5. Seat Width (Back): 16-7/8"
6. Seat Width (Front): 19-1/4"
7. Seat Depth: 16-1/2"
8. Wheeled castors and shower base legs can be adjusted to a maximum of 8-1/8"
9. Height of chair 25" with standard 5" castor wheels or 24" with 4" castor wheels
10. Unloaded Weight: 55 LBS.
11. Weight Capacity: 300 LBS.



Warranty

The SISUS Shower Helper bathroom transfer system is warranted one (1) full year from date of purchase against manufacturer's defects. The backrest and soft seats are warranted six (6) months.

The SISUS Corporation

Phone: 877-828-6699
Fax: 866-729-2311
www.sisuscorp.com

SISUS
CORPORATION

Copyright © 2008 SISUS Corporation