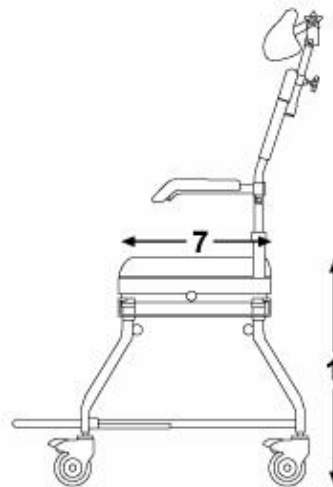
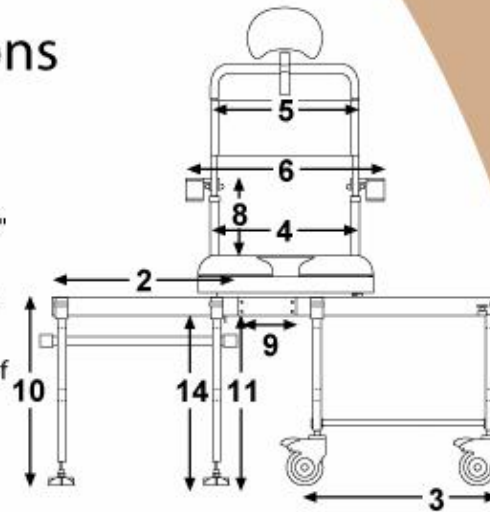


BATH HELPER

Product Specifications

1. Minimum/Maximum Seat Height with standard 5" castor wheels: 22-1/2" / 23-1/2"
Minimum/Maximum Seat Height with 4" castor wheels is 21-1/2" / 22-1/2"
2. Bath Base Length (fits into width of tub): 17-1/2"
3. Minimum clearance needed in front of bath: 24-3/8"
4. Seat Back Width (narrowest): 14"
5. Seat Back Width (widest): 18"
6. Widest Portion of SISUS Bath Helper: 22"
7. Seat Depth: 17-3/4"
8. Height from top of seat to armrest: 7-3/4"
9. Bridge Length: 9-3/4"
Extended bridge available for wider clearance
10. Minimum/Maximum Bath Legs Height: 17" / 18"
11. Standard bath threshold clearance: 17"
12. Unloaded Weight: 55 LBS.
13. Weight Capacity: 300 LBS.
14. 2" chair extenders available for up to 19" threshold



Warranty

The SISUS Bath Helper bathroom transfer system is warranted one (1) full year from date of purchase against manufacturer's defects. The backrest and soft seats are warranted six (6) months.

The SISUS Corporation

Phone: 877-828-6699

Fax: 866-729-2311

www.sisuscorp.com

SISUS
CORPORATION
Copyright © 2008 SISUS Corporation